

NOVO

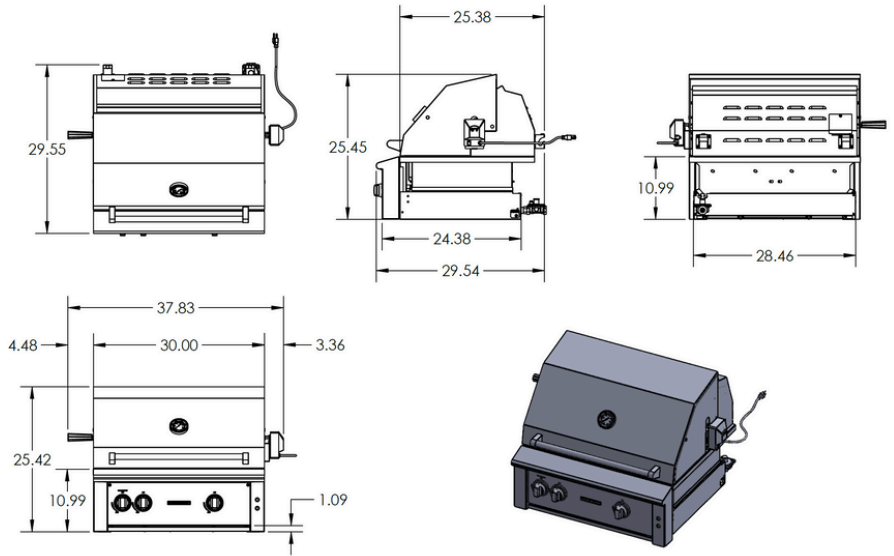
THE NEW AMERICAN BACKYARD



PRODUCT SPECIFICATIONS

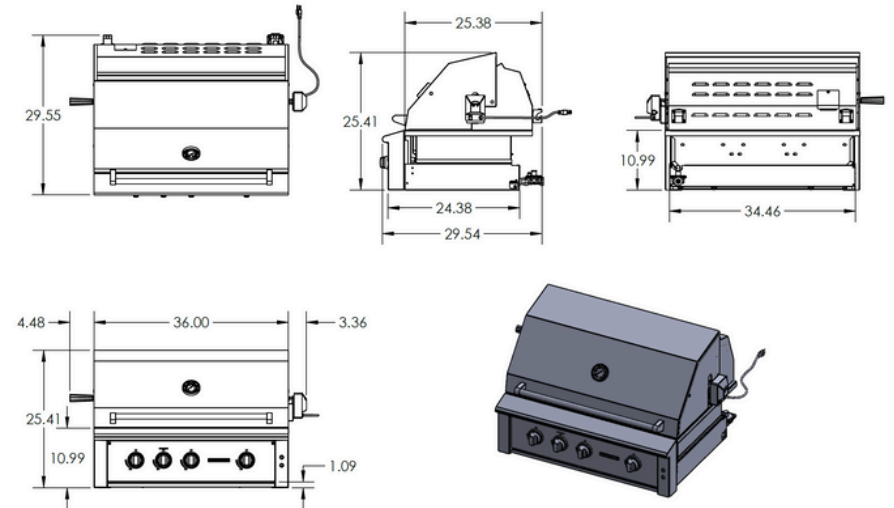
NOVO30

- 52,000 BTU/hr primary cooking surface
- 12,000 BTU/hr back burner
- 543 sq. in. primary cooking surface
- 212 sq. in. warming rack surface
- Internal halogen lighting
- White control panel LED lighting
- Optional rotisserie motor kit
- Weight 219 lbs.
- Requires 120 Volt AC 60HZ three-prong grounded electrical outlet
- NG: 7" W.C. Max. / 4" W.C. Min.
- LP: 14" W.C. Max. / 11" W.C. Min.



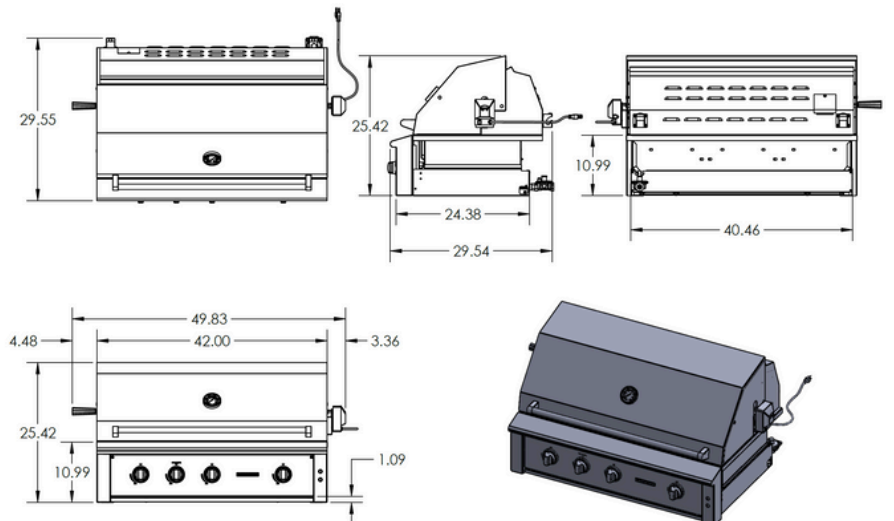
NOVO36


- 78,000 BTU/hr primary cooking surface
- 15,000 BTU/hr back burner
- 660 sq. in. primary cooking surface
- 260 sq. in. warming rack surface
- Internal halogen lighting
- White control panel LED lighting
- Optional rotisserie motor kit
- Weight 252 lbs.
- Requires 120 Volt AC 60HZ three-prong grounded electrical outlet
- NG: 7" W.C. Max. / 4" W.C. Min.
- LP: 14" W.C. Max. / 11" W.C. Min.



NOVO42

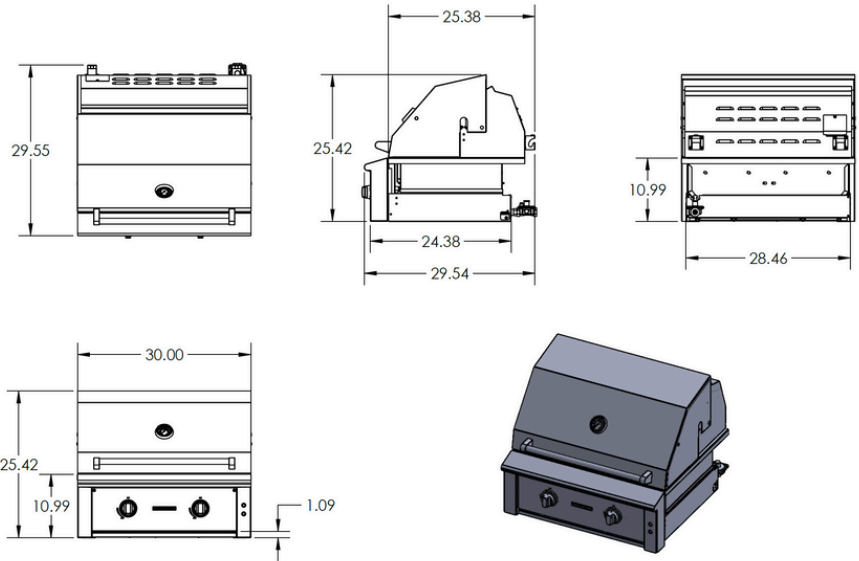
- 78,000 BTU/hr primary cooking surface
- 15,000 BTU/hr back burner
- 777 sq. in. primary cooking surface
- 306 sq. in. warming rack surface
- Internal halogen lighting
- White control panel LED lighting
- Optional rotisserie motor kit
- Weight 291 lbs.
- Requires 120 Volt AC60HZ three-prong grounded electrical outlet
- NG: 7" W.C. Max. / 4" W.C. Min.
- LP: 14" W.C. Max. / 11" W.C. Min.



 Always refer to product manual for full specifications, installation and operating instructions prior to installation.

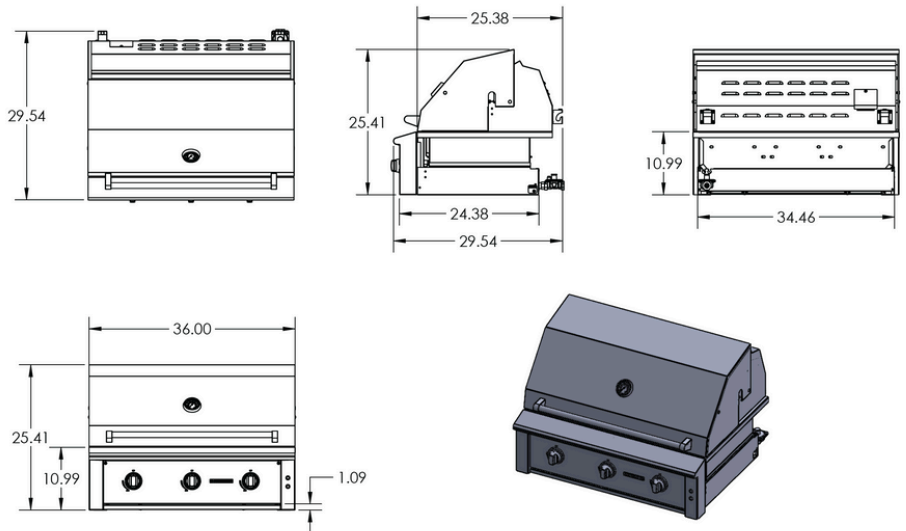
HONE30

- 52,000 BTU/hr primary cooking surface
- 543 sq. in. primary cooking surface
- 212 sq. in. warming rack surface
- Internal halogen lighting
- White control panel LED lighting
- Weight 219 lbs.
- Requires 120 Volt AC 60HZ three-prong grounded electrical outlet
- NG: 7" W.C. Max. / 4" W.C. Min.
- LP: 14" W.C. Max. / 11" W.C. Min.



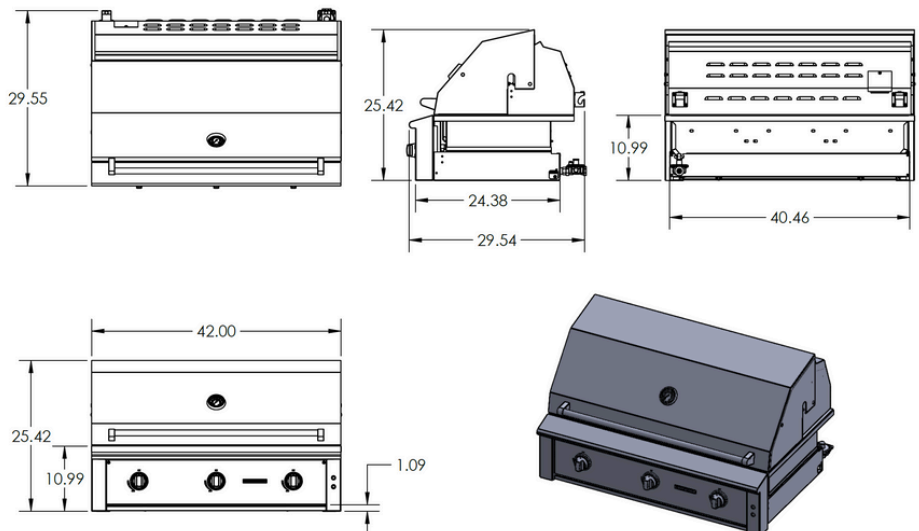
HONE36


- 78,000 BTU/hr primary cooking surface
- 660 sq. in. primary cooking surface
- 260 sq. in. warming rack surface
- Internal halogen lighting
- White control panel LED lighting
- Weight 252 lbs.
- Requires 120 Volt AC 60HZ three-prong grounded electrical outlet
- NG: 7" W.C. Max. / 4" W.C. Min.
- LP: 14" W.C. Max. / 11" W.C. Min.



HONE42

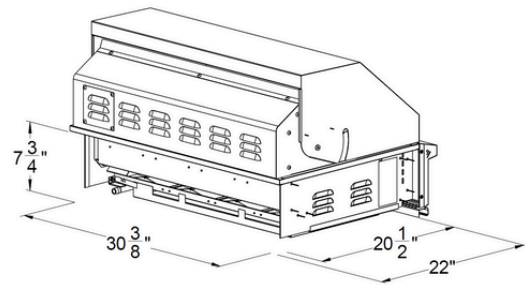
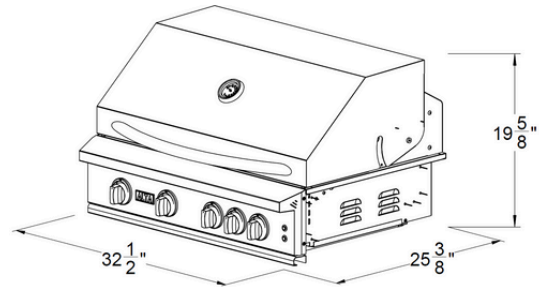
- 78,000 BTU/hr primary cooking surface
- 777 sq. in. primary cooking surface
- 306 sq. in. warming rack surface
- Internal halogen lighting
- White control panel LED lighting
- Weight 291 lbs.
- Requires 120 Volt AC 60HZ three-prong grounded electrical outlet
- NG: 7" W.C. Max. / 4" W.C. Min.
- LP: 14" W.C. Max. / 11" W.C. Min.



 Always refer to product manual for full specifications, installation and operating instructions prior to installation.

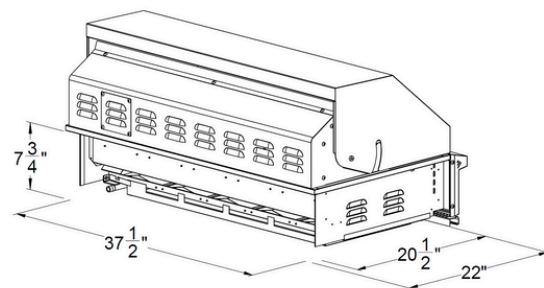
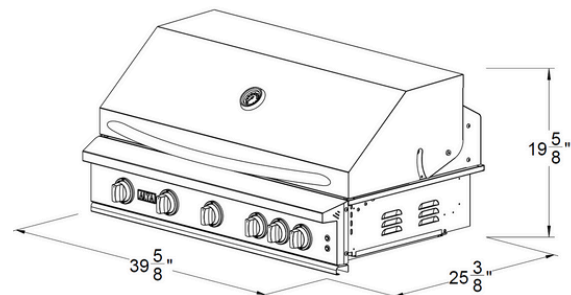
ALTA32


- 48,000 BTU/hr primary cooking surface
- 12,000 BTU/hr back burner
- 552 sq. in. primary cooking surface
- 163 sq. in. warming rack surface
- Internal halogen lighting
- Blue control panel LED lighting
- Weight 171 lbs.
- Requires 120 Volt AC 60HZ three-prong grounded electrical outlet
- NG: 7" W.C. Max. / 4" W.C. Min.
- LP: 14" W.C. Max. / 11" W.C. Min.



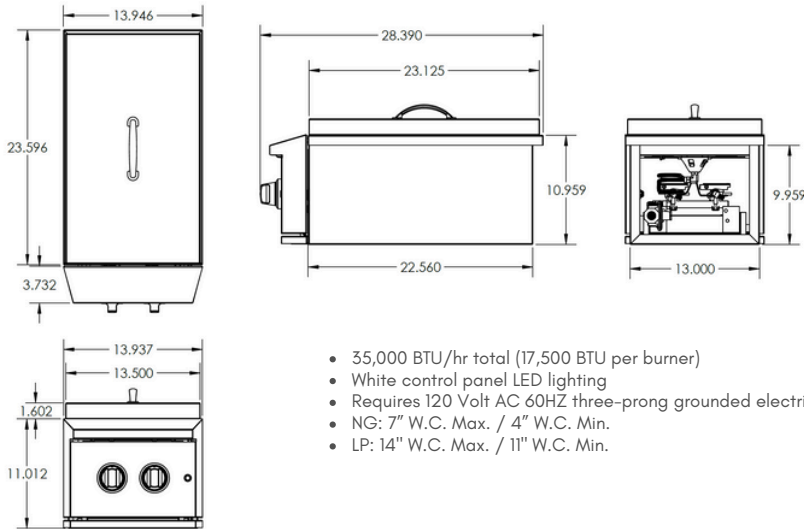
ALTA40

- 60,000 BTU/hr primary cooking surface
- 12,000 BTU/hr back burner
- 685 sq. in. primary cooking surface
- 306 sq. in. warming rack surface
- Internal halogen lighting
- Blue control panel LED lighting
- Weight 193 lbs.
- Requires 120 Volt AC 60HZ three-prong grounded electrical outlet
- NG: 7" W.C. Max. / 4" W.C. Min.
- LP: 14" W.C. Max. / 11" W.C. Min.



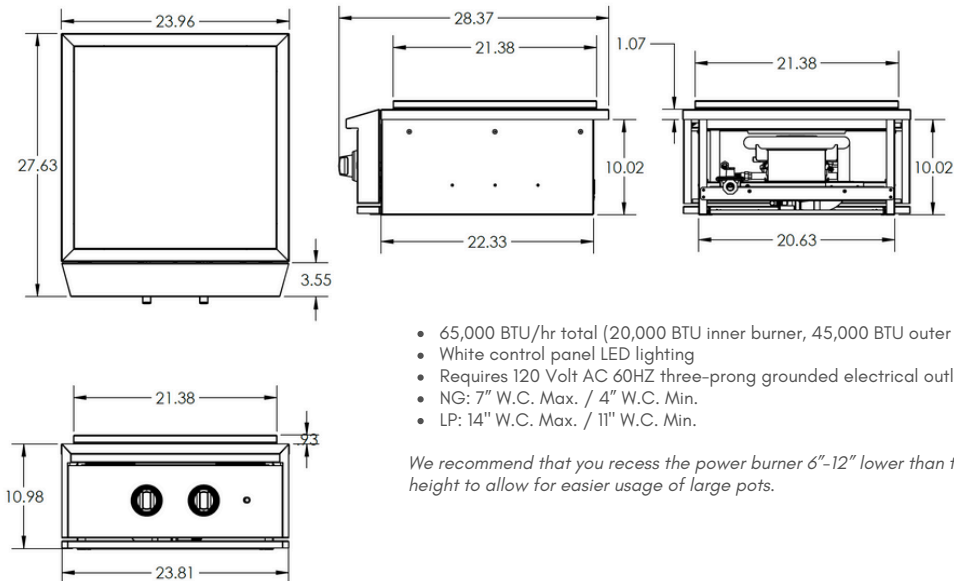
 Always refer to product manual for full specifications, installation and operating instructions prior to installation.

NOVODLSB




- 35,000 BTU/hr total (17,500 BTU per burner)
- White control panel LED lighting
- Requires 120 Volt AC 60HZ three-prong grounded electrical outlet
- NG: 7" W.C. Max. / 4" W.C. Min.
- LP: 14" W.C. Max. / 11" W.C. Min.

NOVOPB

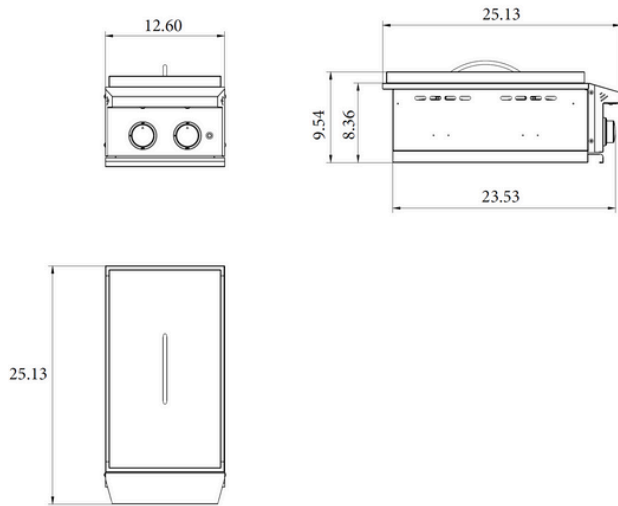


- 65,000 BTU/hr total (20,000 BTU inner burner, 45,000 BTU outer burner)
- White control panel LED lighting
- Requires 120 Volt AC 60HZ three-prong grounded electrical outlet
- NG: 7" W.C. Max. / 4" W.C. Min.
- LP: 14" W.C. Max. / 11" W.C. Min.

We recommend that you recess the power burner 6"-12" lower than the countertop height to allow for easier usage of large pots.

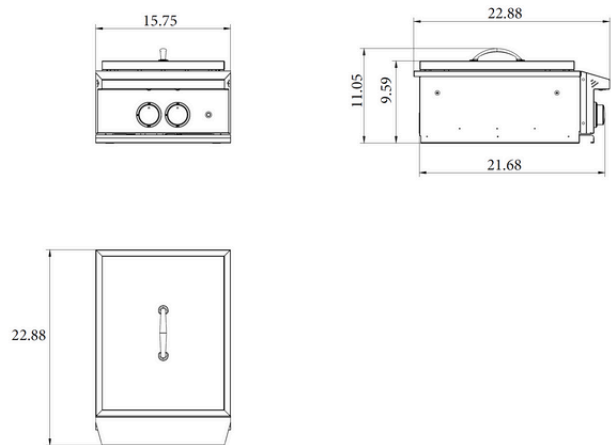
 Always refer to product manual for full specifications, installation and operating instructions prior to installation.

ALTADLSB



- 24,000 BTU/hr total (12,000 BTU per burner)
- Blue control panel LED lighting
- Requires 120 Volt AC 60HZ three-prong grounded electrical outlet
- NG: 7" W.C. Max. / 4" W.C. Min.
- LP: 14" W.C. Max. / 11" W.C. Min.

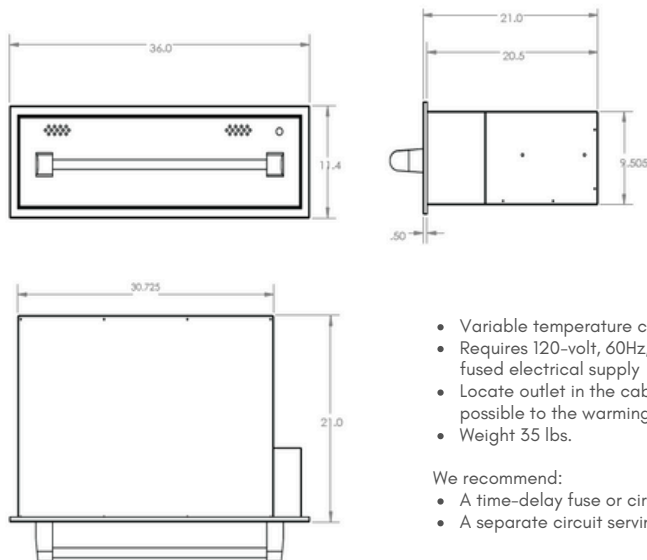
ALTAPB



- 60,000 BTU/hr total (24,000 BTU inner burner, 36,000 BTU outer burner)
- Blue control panel LED lighting
- Requires 120 Volt AC 60HZ three-prong grounded electrical outlet
- NG: 7" W.C. Max. / 4" W.C. Min.
- LP: 14" W.C. Max. / 11" W.C. Min.

We recommend that you recess the power burner 6"-12" lower than the countertop height to allow for easier usage of large pots.


NOVO36WD



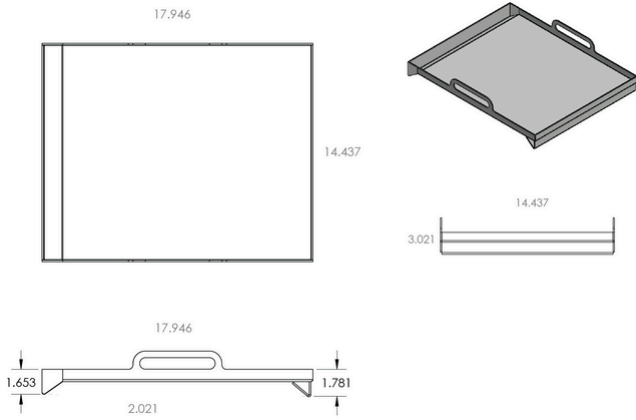
- Variable temperature control up to 220° F
- Requires 120-volt, 60Hz, AC. 15 - or 'H'- amp., fused electrical supply
- Locate outlet in the cabinet as close as possible to the warming drawer
- Weight 35 lbs.

We recommend:

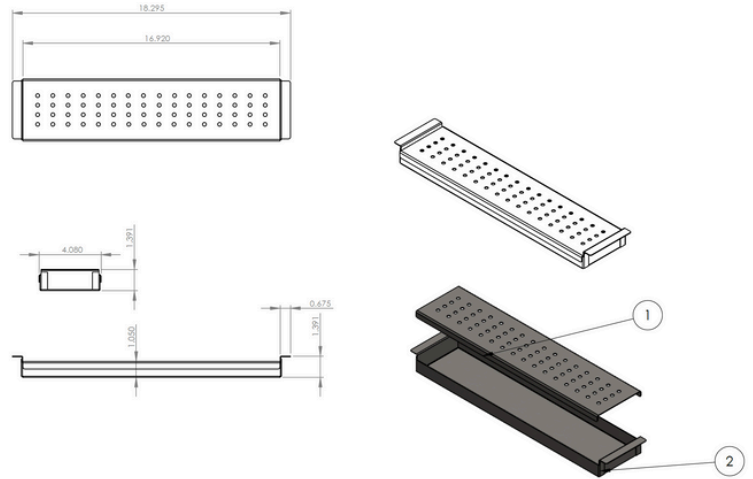
- A time-delay fuse or circuit breaker
- A separate circuit serving this appliance only

 Always refer to product manual for full specifications, installation and operating instructions prior to installation.

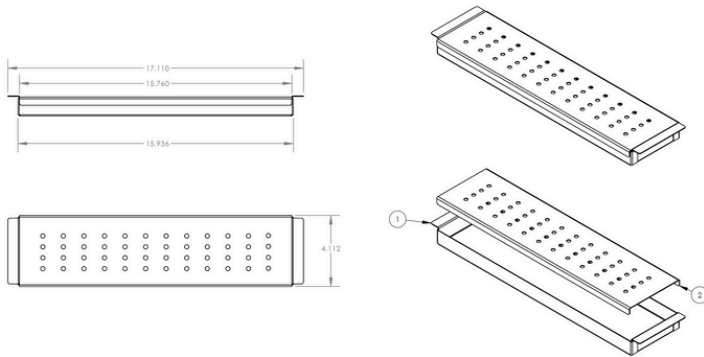
NOVO18GP




NOVOST

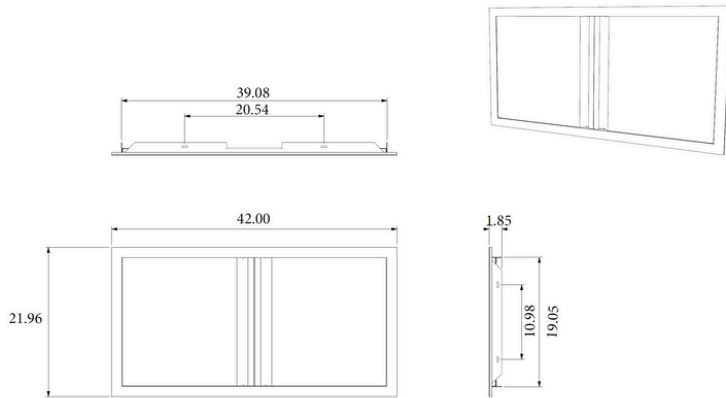


ALTAST

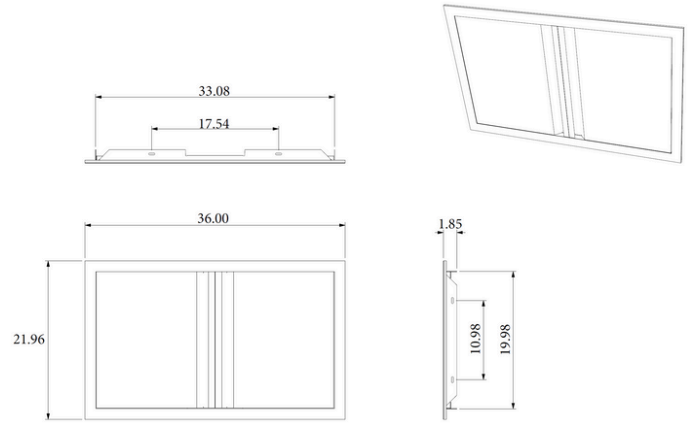


 Always refer to product manual for full specifications, installation and operating instructions prior to installation.

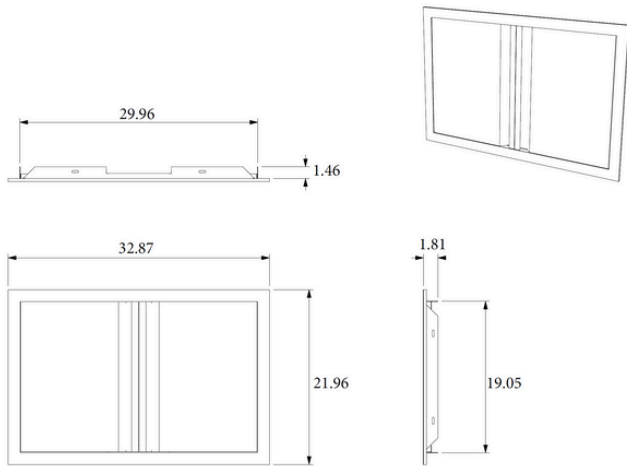
NOVO42DBLAD



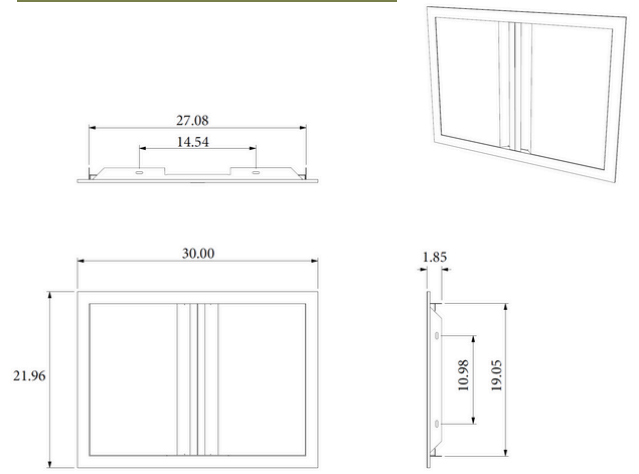
NOVO36DBLAD



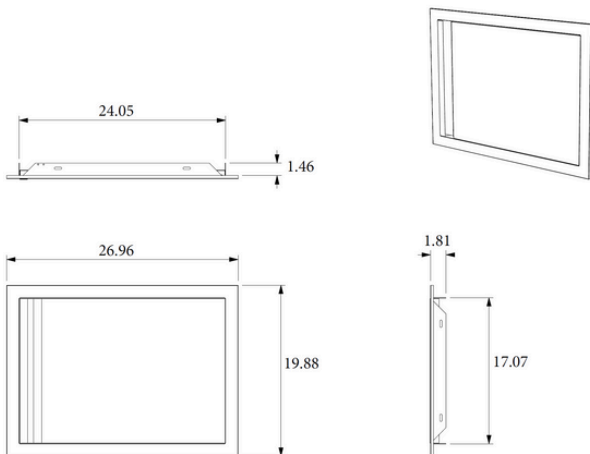
NOVO33DBLAD



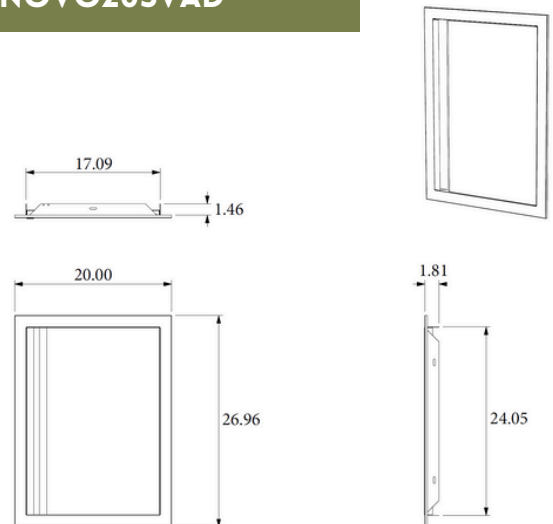
NOVO30DBLAD




NOVO27SHAD

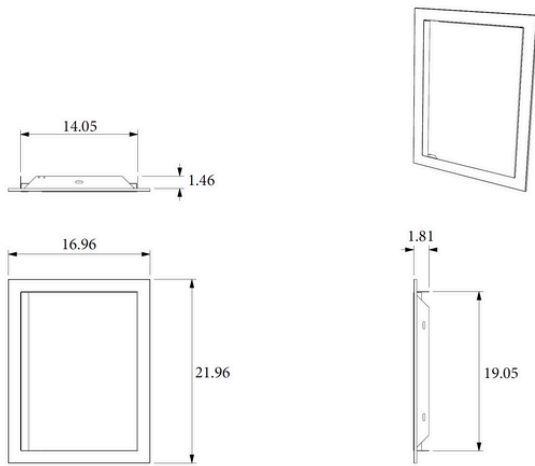


NOVO20SVAD

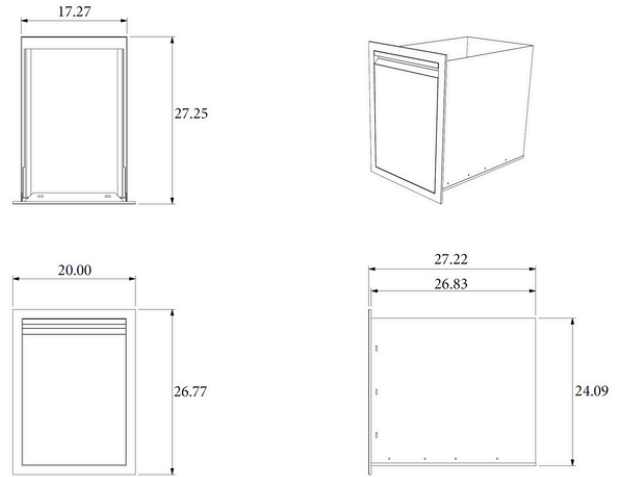


 Always refer to product manual for full specifications, installation and operating instructions prior to installation.

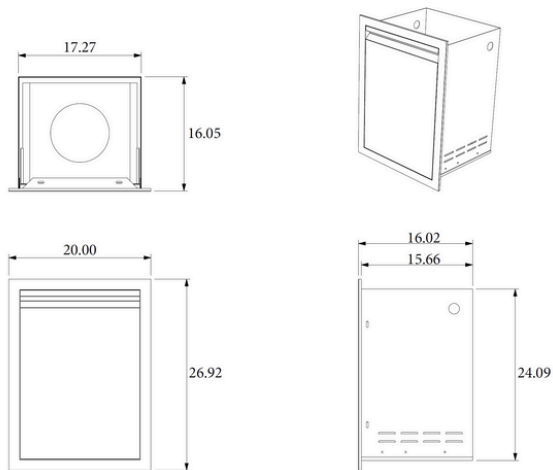
NOVO18SVAD



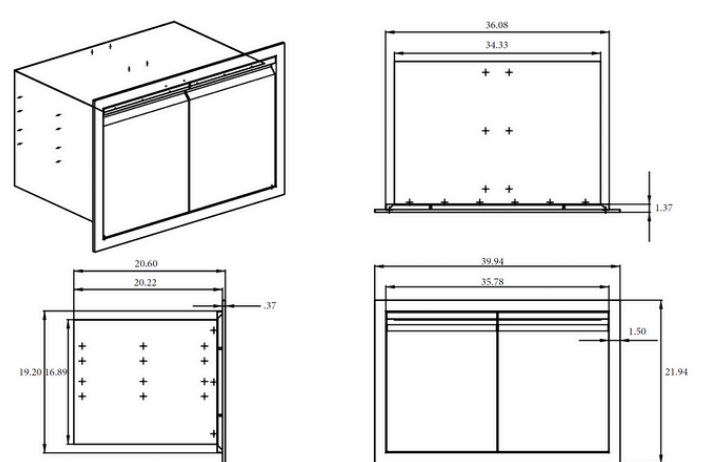
NOVO20DBLTD



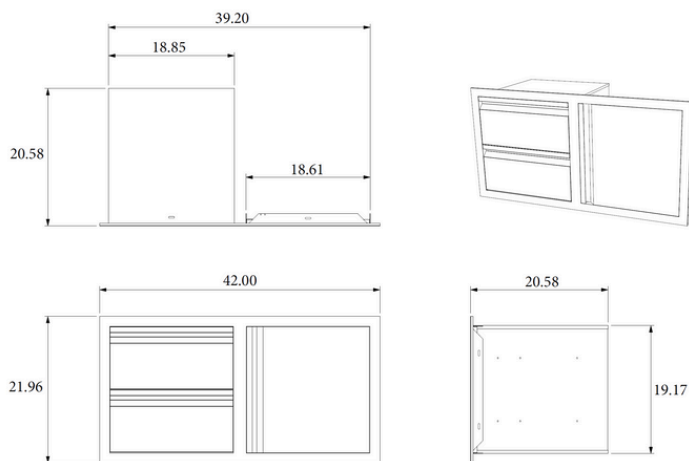
NOVO20STD



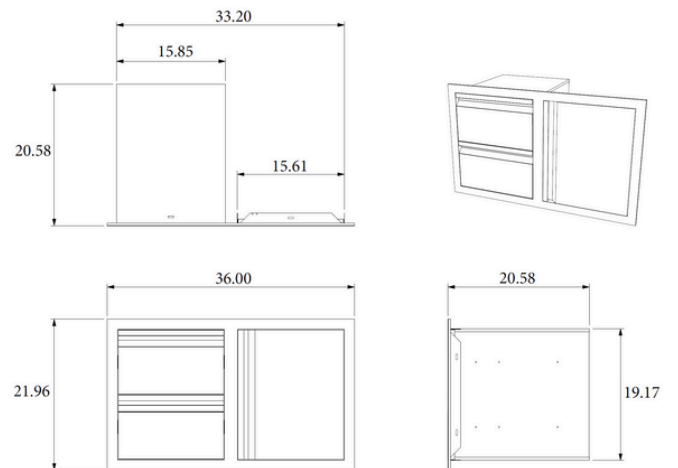
NOVO362DSC




NOVO422DADC

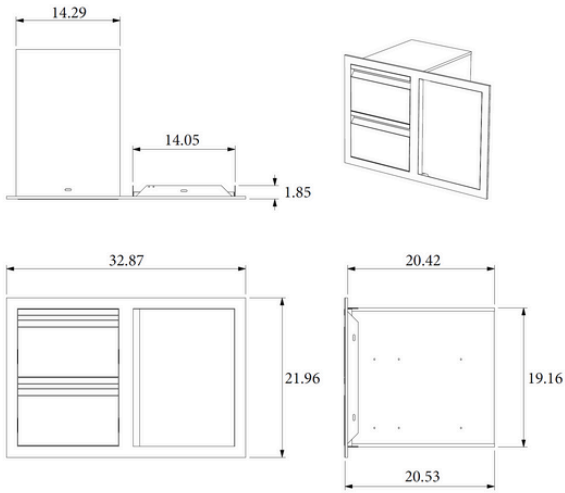


NOVO362DADC

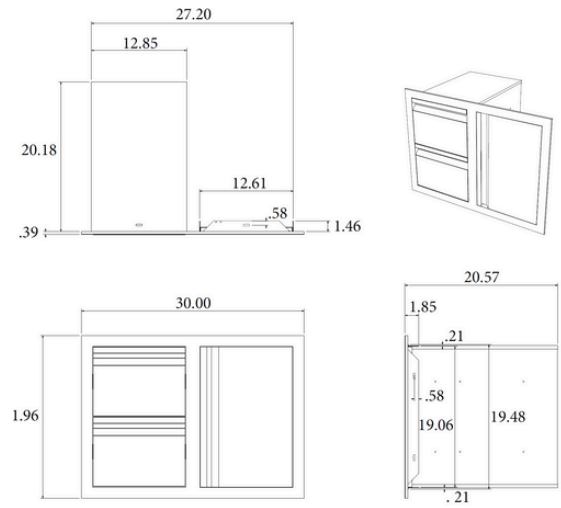


 Always refer to product manual for full specifications, installation and operating instructions prior to installation.

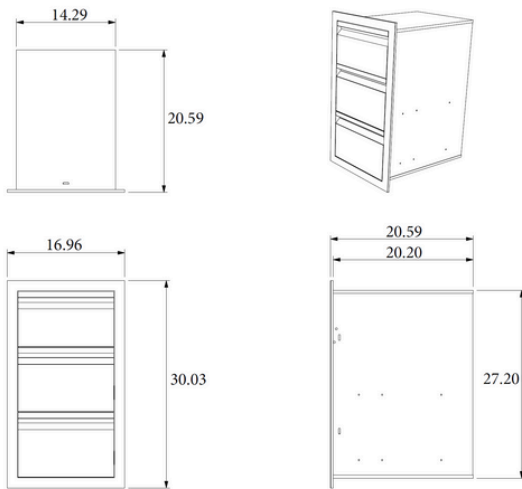
NOVO332ADAC



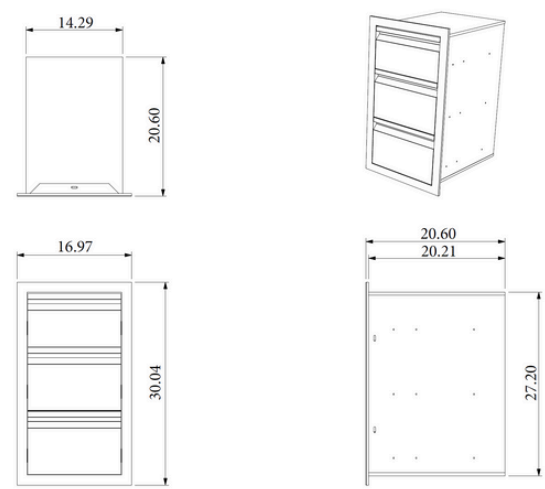
NOVO302DADC



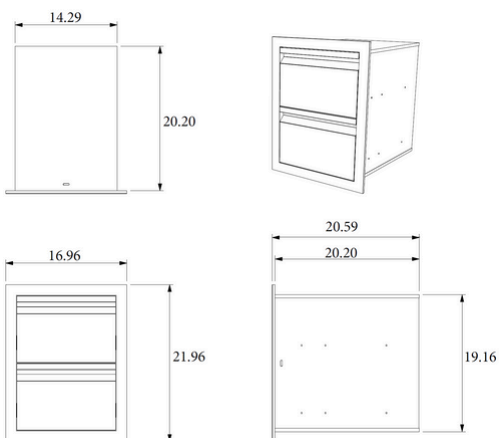
NOVO172DPHCH



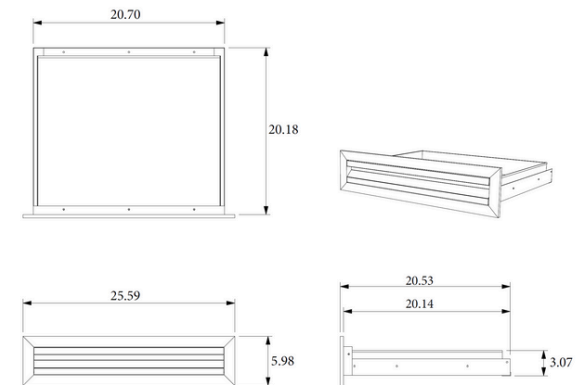
NOVO17TSD




NOVO17DBLSD

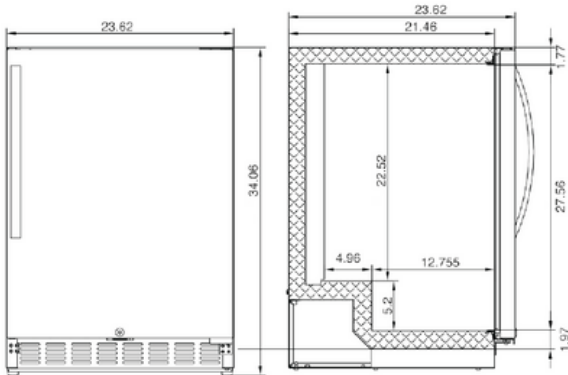


NOVO26UD



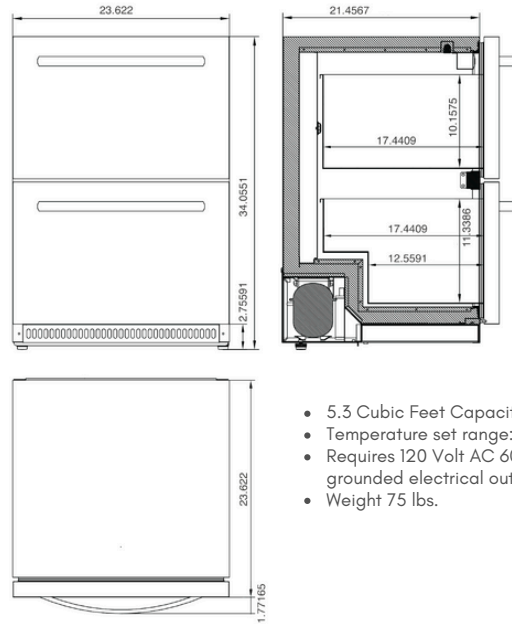
 Always refer to product manual for full specifications, installation and operating instructions prior to installation.

NOVO24DLXREF



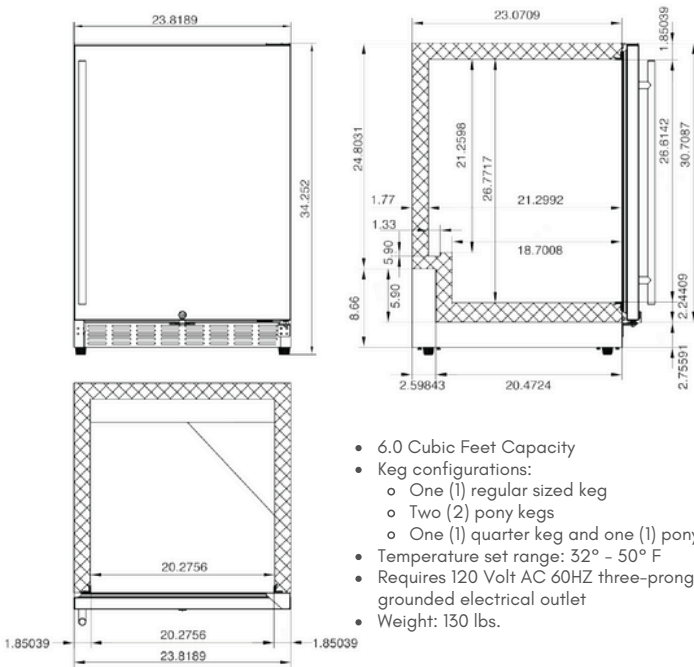
- 5.3 Cubic Feet Capacity
- Temperature set range: 32° - 50° F
- Requires 120 Volt AC 60HZ three-prong grounded electrical outlet
- Weight 75 lbs.

NOVO242DREF



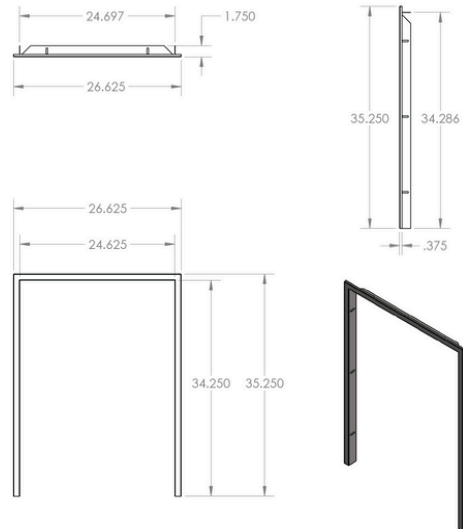
- 5.3 Cubic Feet Capacity
- Temperature set range: 32° - 50° F
- Requires 120 Volt AC 60HZ three-prong grounded electrical outlet
- Weight 75 lbs.

NOVOSNGKEG & NOVODBLKEG




- 6.0 Cubic Feet Capacity
- Keg configurations:
 - One (1) regular sized keg
 - Two (2) pony kegs
 - One (1) quarter keg and one (1) pony keg
- Temperature set range: 32° - 50° F
- Requires 120 Volt AC 60HZ three-prong grounded electrical outlet
- Weight: 130 lbs.

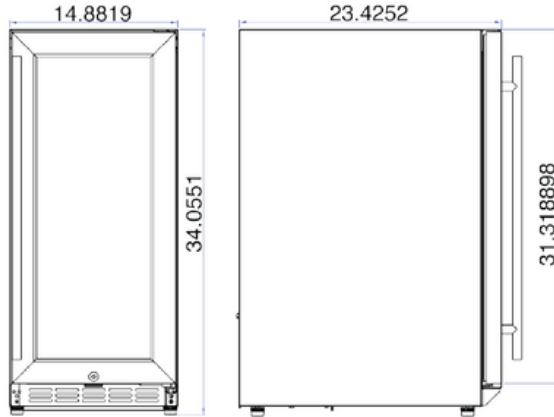
NOVO24TRIM



- Compatible with:
- NOVO24DLXREF
 - NOVO242DREF
 - NOVOSNGKEG
 - NOVODBLKEG

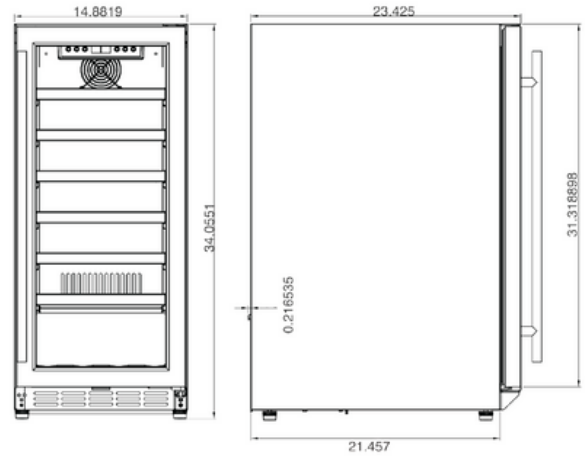
 Always refer to product manual for full specifications, installation and operating instructions prior to installation.

NOVO15GLASSREF



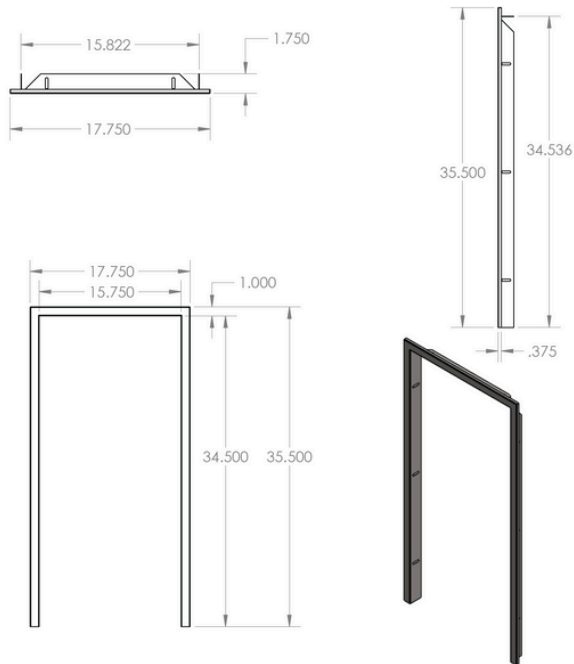
- 3.2 Cubic Feet Capacity
- Temperature set range: 32° - 50° F
- Requires 120 Volt AC 60HZ three-prong grounded electrical outlet
- Weight 98 lbs.

NOVO15WINE1




- 3.2 Cubic Feet Capacity
- Stores 28 standard wine bottles
- Temperature set range: 41° - 64° F
- Requires 120 Volt AC 60HZ three-prong grounded electrical outlet
- Weight 98 lbs.

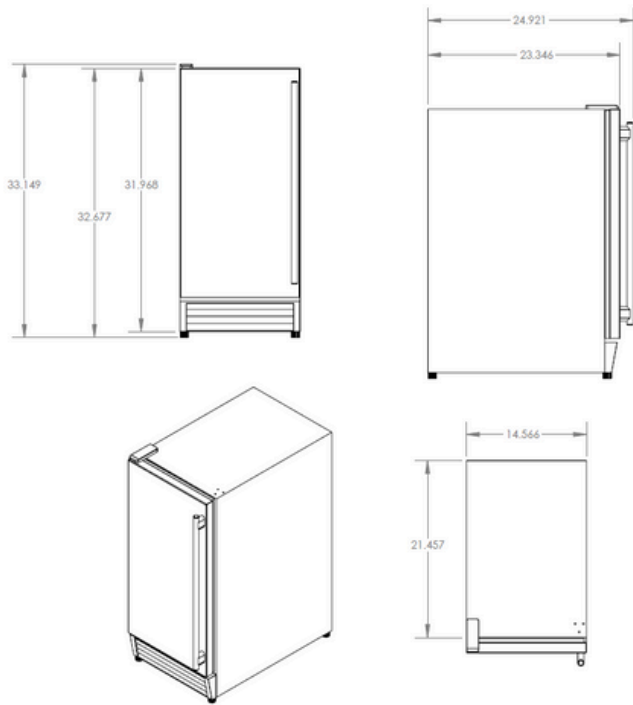
NOVO15TRIM



- Compatible with:
- NOVO15GLASSREF
 - NOVO15WINE1

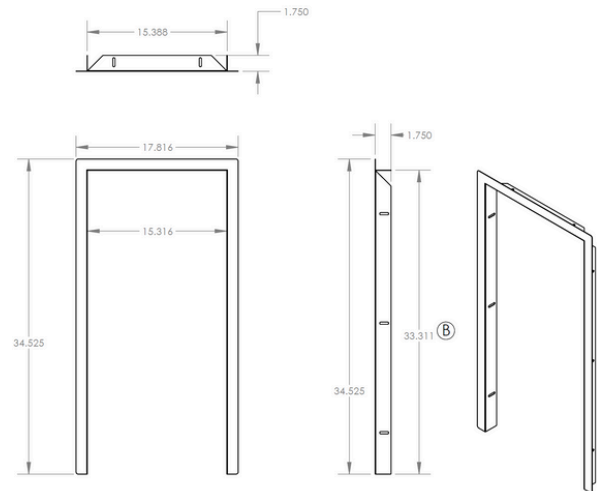
 Always refer to product manual for full specifications, installation and operating instructions prior to installation.

NOVOIM




- Maximum ice storage: 25 lbs.
- Ice-making capacity: 50 lbs./day
- Ice shape: cube
- Ice cube dimensions: 7/8" x 7/8" x 7/8"
- Requires 120 Volt AC 60HZ three-prong grounded electrical outlet
- Weight 84 lbs.

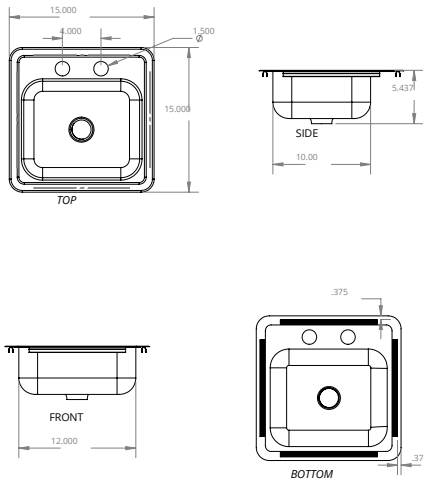
NOVOIMTRIM



- Compatible with:
- NOVOIM

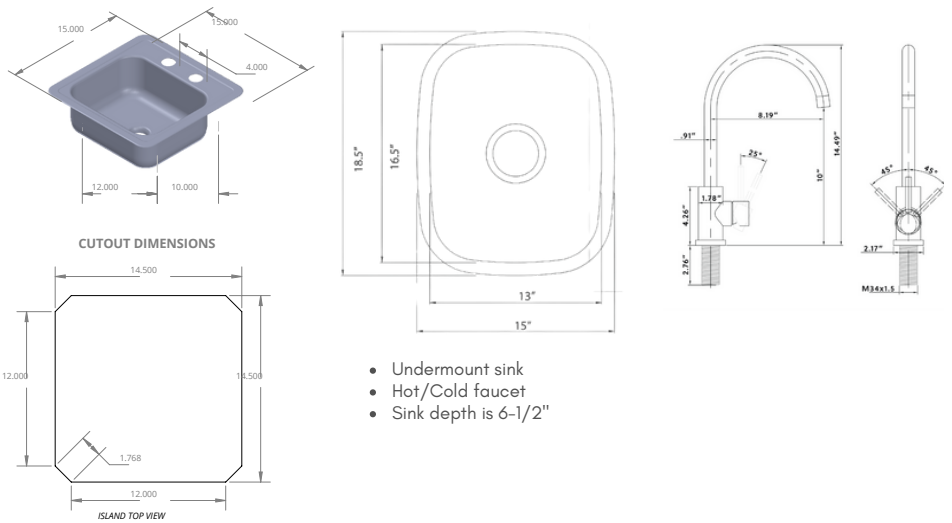
 Always refer to product manual for full specifications, installation and operating instructions prior to installation.

NOVO15SINK



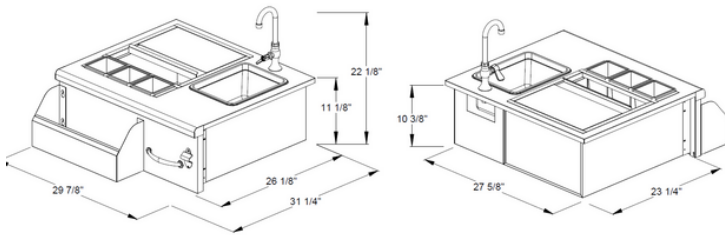
- Drop-in sink
- Hot/Cold faucet
- Top of the faucet to the bottom of the basin is 16-1/4"

NOVO19SINK



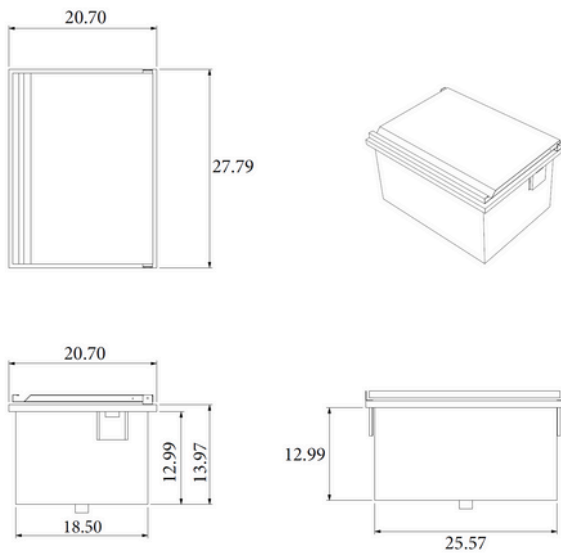
- Undermount sink
- Hot/Cold faucet
- Sink depth is 6-1/2"

NOVO30BEV & ALTA30BEV

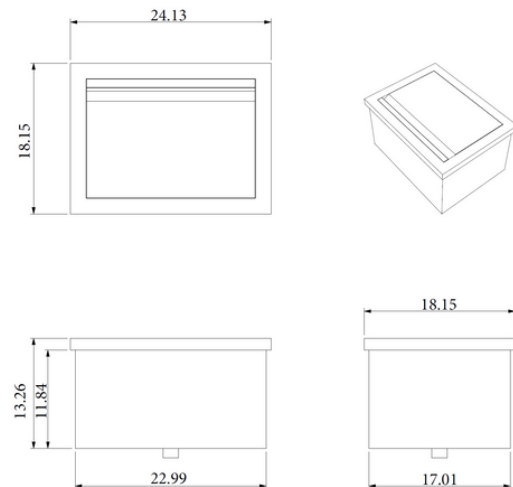



- NOVO: White front panel LED lighting
- ALTA: Blue front panel LED lighting
- 15 inch sink
- 40 lb. ice storage compartment
- Requires standard 120 Volt AC 60HZ three-prong grounded electrical outlet

NOVO28COOLER

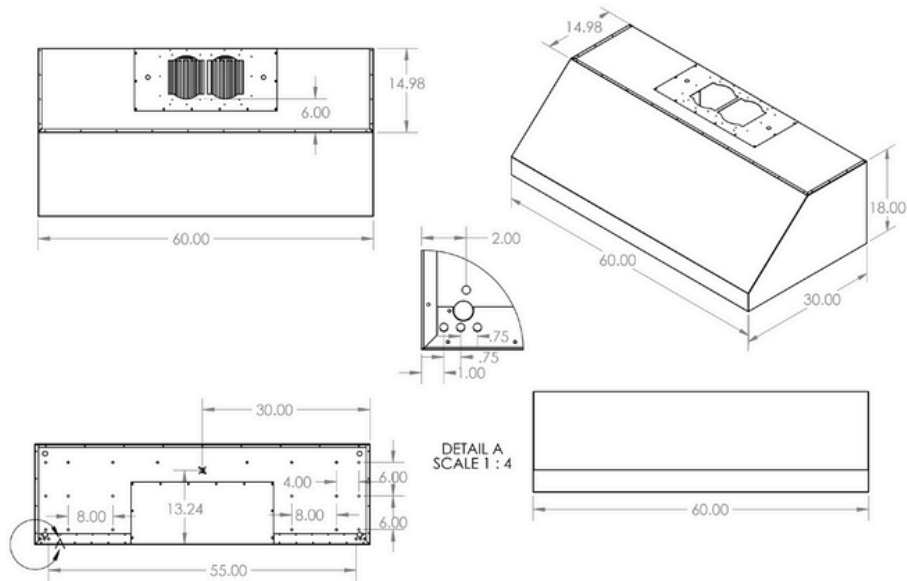


NOVO17COOLER



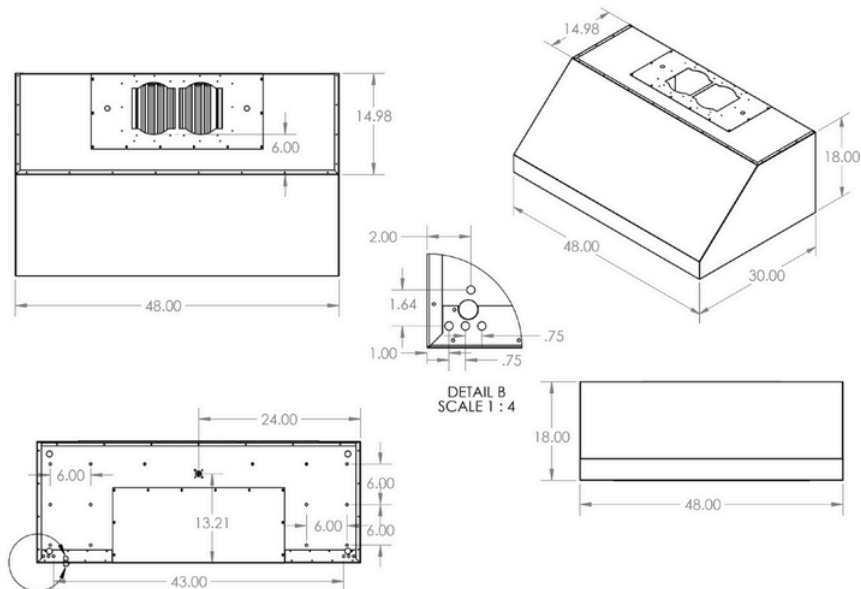
 Always refer to product manual for full specifications, installation and operating instructions prior to installation.

NOVO60VH




- Halogen hood lights
- 1,200 CFM internal blower
- Uses 10" ducting (field supplied)
- 115v - 15amp
- Weight 186 lbs.
- If mounted at a height greater than 36" above the cooking surface, the hood should be at least 6" wider than the cooking appliance.

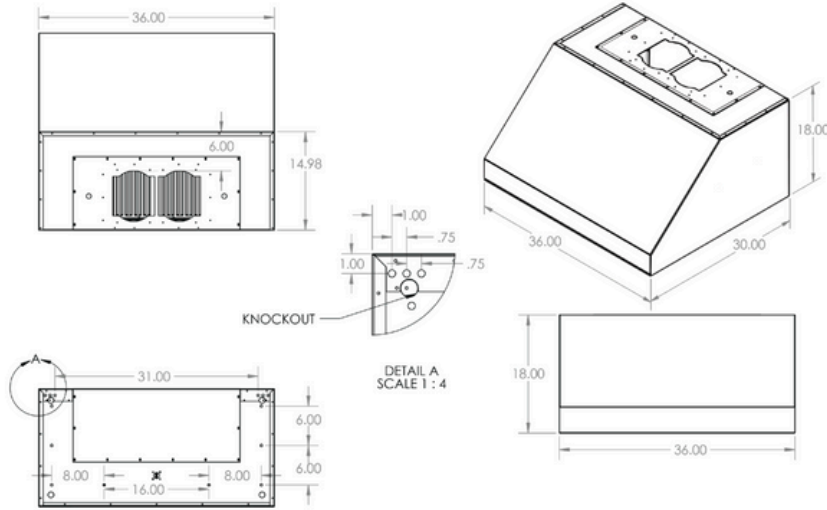
NOVO48VH



- Halogen hood lights
- 1,200 CFM internal blower
- Uses 10" ducting (field supplied)
- 115v - 15amp
- Weight 149 lbs.
- If mounted at a height greater than 36" above the cooking surface, the hood should be at least 6" wider than the cooking appliance.

 Always refer to product manual for full specifications, installation and operating instructions prior to installation.

NOVO36VH

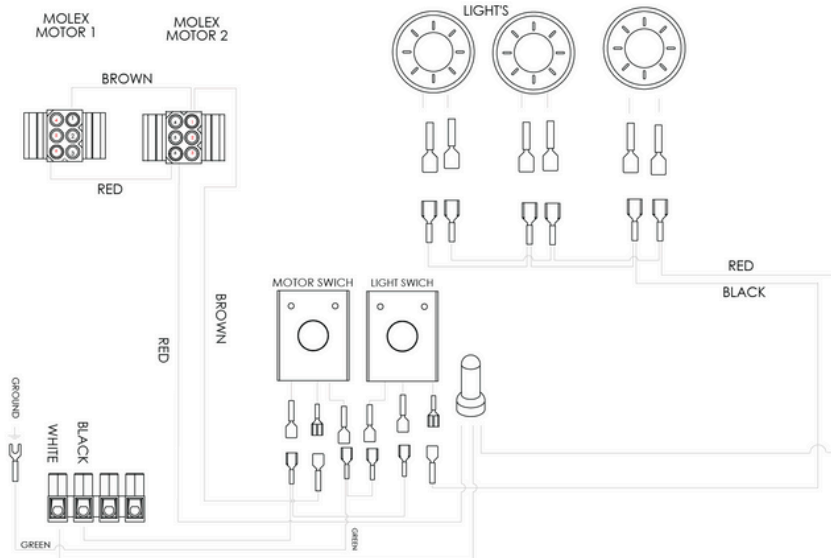


- Halogen hood lighting
- 1,200 CFM internal blower
- Uses 10" ducting (field supplied)
- 115v - 15amp
- Weight 129 lbs.
- If mounted at a height greater than 36" above the cooking surface, the hood should be at least 6" wider than the cooking appliance.

A LICENSED ELECTRICIAN SHOULD MAKE ALL ELECTRICAL CONNECTIONS

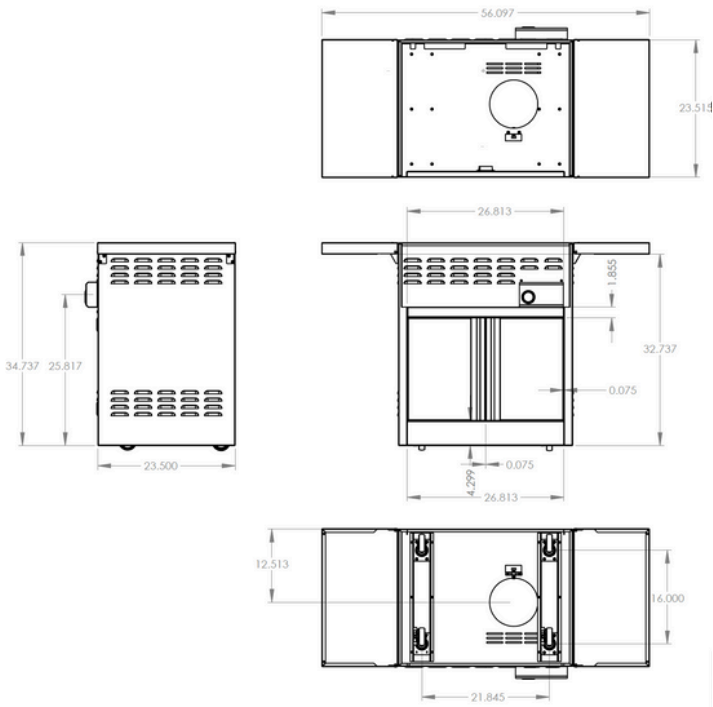
WIRING DIAGRAM

Connect wires from 115V supply using wire nuts (not supplied). Connect ground lead to supplied ground screw inside the electrical box. Secure cover onto electrical box. Test for proper function.

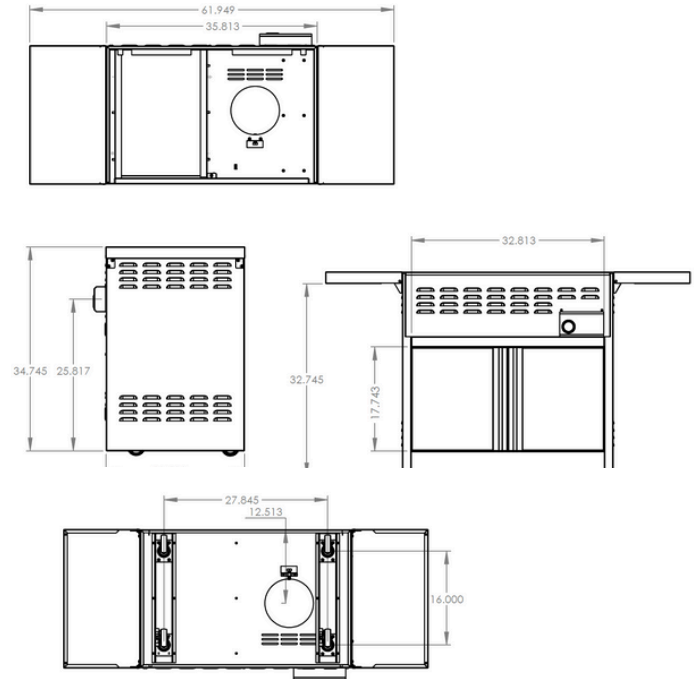


⚠ Always refer to product manual for full specifications, installation and operating instructions prior to installation.

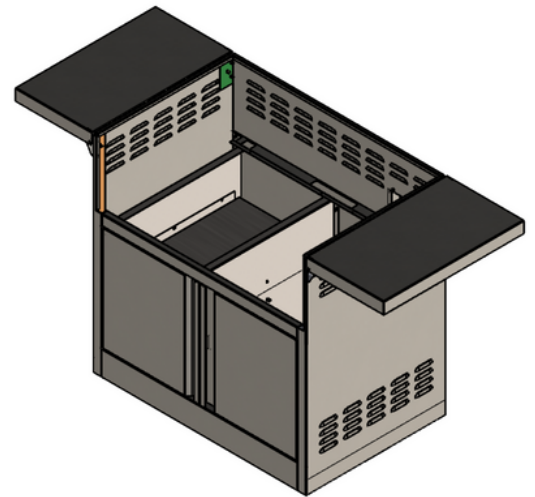
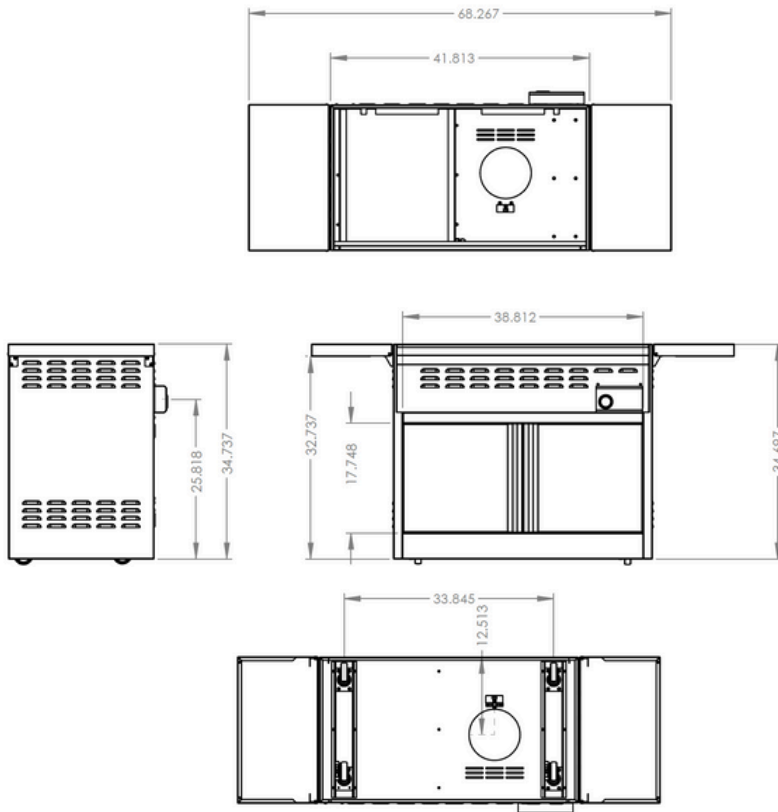
NOVO30GB




NOVO36GB

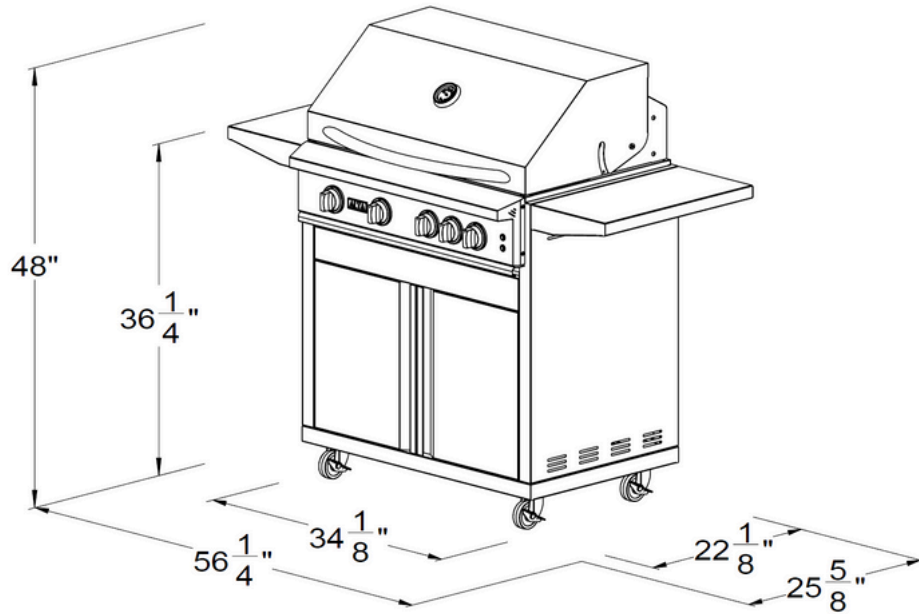


NOVO42GB

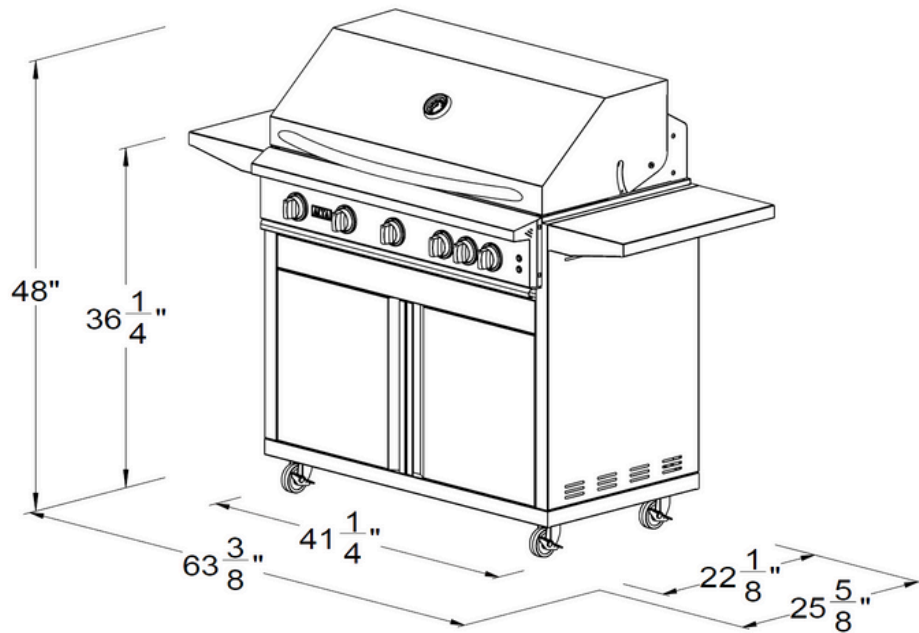



 Always refer to product manual for full specifications, installation and operating instructions prior to installation.

ALTA32GB

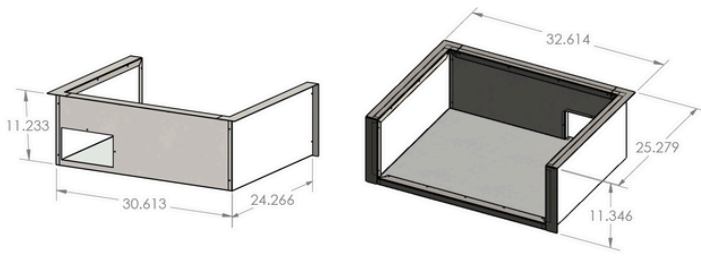


ALTA40GB

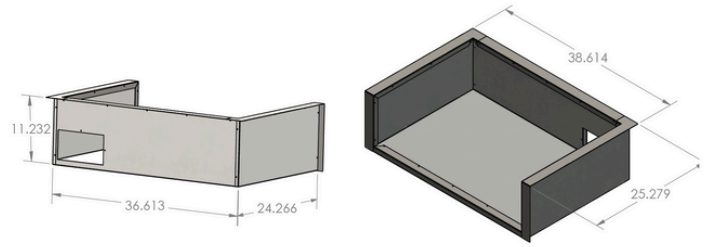


 Always refer to product manual for full specifications, installation and operating instructions prior to installation.

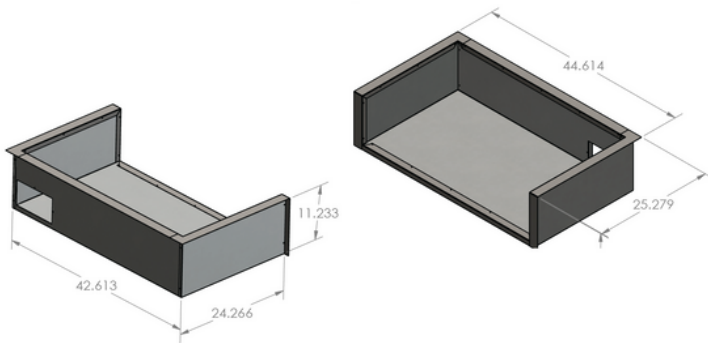
NOVO30IL



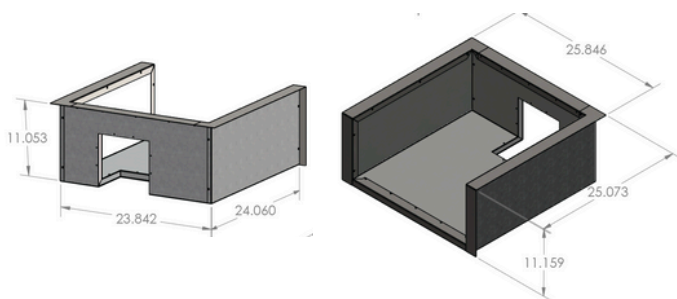
NOVO36IL



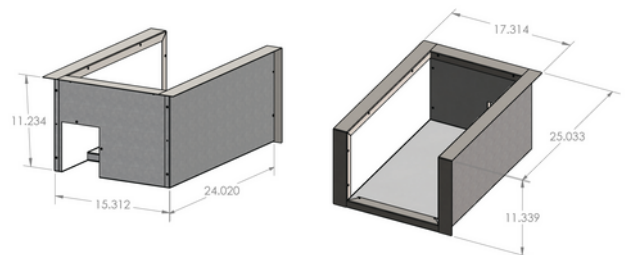
NOVO42IL




NOVOPBIL

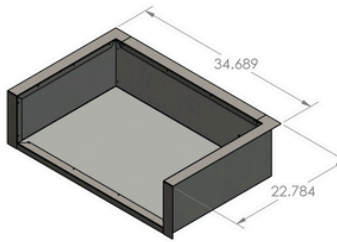
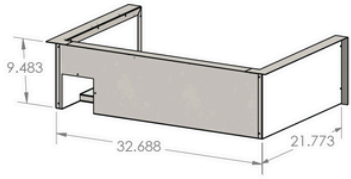


NOVODBLSBIL

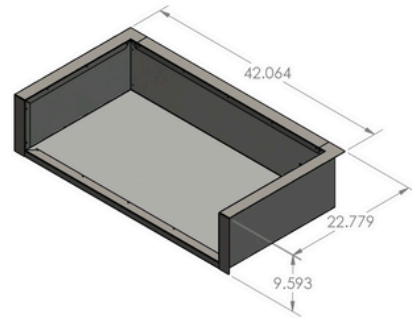
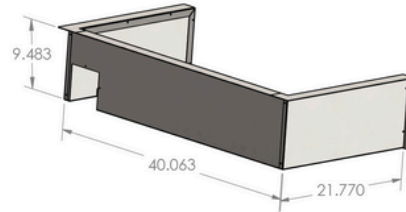


 Always refer to product manual for full specifications, installation and operating instructions prior to installation.

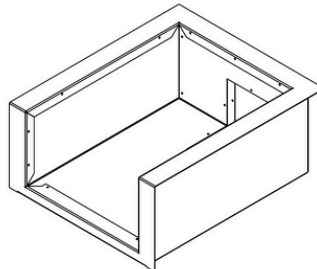
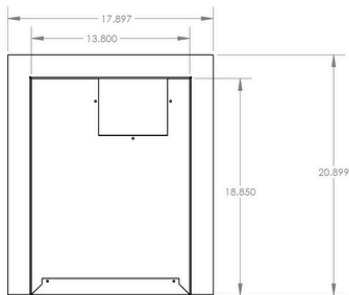
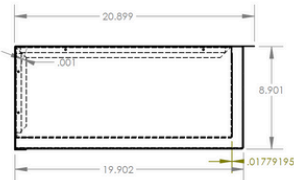
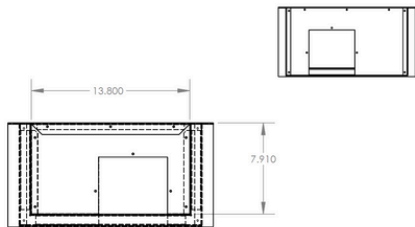
ALTA32IL



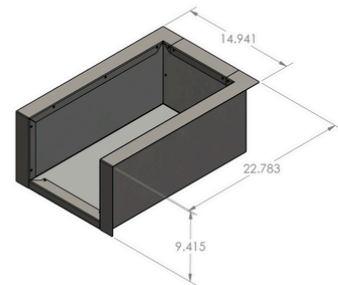
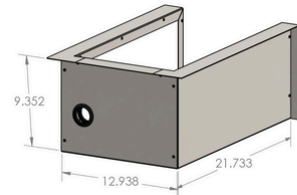
ALTA40IL




ALTAPBIL



ALTADBSBIL



 Always refer to product manual for full specifications, installation and operating instructions prior to installation.

GAS GRILL INSTALLATION CONSIDERATIONS

⚠️ *Always refer to product manual for full specifications, installation and operating instructions prior to installation.*

All islands/grill enclosures must be manufactured from "Non-Combustible" materials. If combustible material is being used then an insulating liner is required for gas appliances.

DO NOT use this appliance under any unprotected combustible overhead construction. When installed under overhead non-combustible construction, an exhaust hood is highly recommended. A minimum five (5) foot clearance is required between the countertop and the overhead construction.

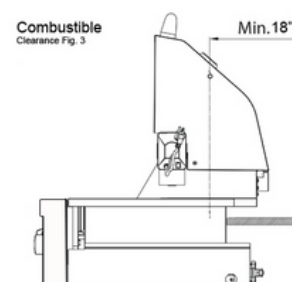
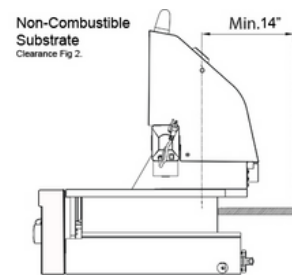
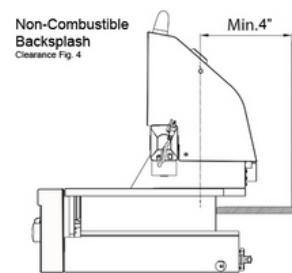
All gas lines must have a shut-off that is readily and easily accessible.

Never use in a garage, building, shed, breezeway, or other enclosed area. Gas grills are not designed or certified for and are not to be installed in or on recreational vehicles, portable trailers, boats or any other moving installation.

Check with City and Fire department for Local Building Codes. A permit may be required for outdoor kitchen construction. This grill must be installed in accordance with local codes and ordinances, or, in the absence of local codes, with the latest National Fuel Gas Code (ANSI Z223.1/NFPA 54), or Natural Gas and Propane Storage and Handling Installation Code (CSA-B149.1)

SIDE AND REAR WALL CLEARANCES

- Clearance between grill and strictly non-combustible wall (i.e. brick wall, Clearance Fig. 4). The grill must have a minimum of 4" right, left and rear clearance from any non-combustible wall. This allows for proper ventilation and helps prevent dangerous overheating.
 - *If a non-combustible backsplash exists, it must have a minimum of a 4" clearance from the rear of the grill. This 4" backsplash clearance must first be met prior to any non-combustible walls beginning behind it.*
- Clearance between grill and protected combustible wall (i.e. a non-combustible wall in front of a combustible wall to serve as a barrier. This can be accomplished by brick or a metal stud finished with non-combustible substrate. Clearance Fig. 2). The grill must have a minimum of 14" right, left and rear clearance from the protected combustible wall. (The 4" non-combustible material clearance, plus an additional 10" clearance between the grill and protected wall.)
- Clearance between grill and combustible wall (Clearance Fig. 3). The grill must have a minimum of 18" right, left and rear clearance from any combustible wall.



⚠️ *Always refer to product manual for full specifications, installation and operating instructions prior to installation.*

GAS GRILL INSTALLATION CONSIDERATIONS

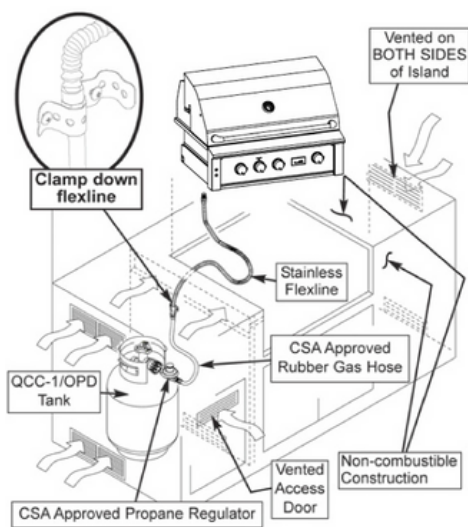
⚠ *Always refer to product manual for full specifications, installation and operating instructions prior to installation.*

Never connect an unregulated LP gas tank to your gas grill. The gas regulator assembly supplied with your LP gas grill is adjusted to have an outlet pressure of an estimated 11" water column (W.C.) for connection to an LP gas tank.

An enclosure or island for an LP gas cylinder must be vented on the level of the cylinder valve and at floor level.

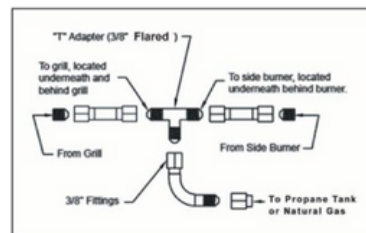
The effectiveness of the opening(s) for purposes of ventilation shall be determined with the LP gas supply cylinder in place. This shall be accomplished by one of the following:

- One side of the enclosure shall be fully open; *or*
- For an enclosure having four sides, a top and a bottom, at least two ventilation openings at cylinder valve level shall be provided in the sidewall, equally sized, spaced at 180 degrees, and unobstructed.
 - Each opening shall have a total free area of not less than 1/2 square inch per pound of stored fuel capacity and not less than a total free area of 10 square inches.
 - If ventilation openings at floor level are in a sidewall, there shall be at least two openings. The bottom of the openings shall be at floor level and the upper edge no more than 5 inches above the floor. The openings shall be equally sized, spaced at 180 degrees and unobstructed.



CONNECTING TO A SIDE BURNER

- You will need a 'T' adapter fitting (not provided) or similar connection to connect a single gas line to both a side burner and a grill. We recommend a licensed gas technician install all gas lines. See figure for installation example of a 'T' adapter.



⚠ *Always refer to product manual for full specifications, installation and operating instructions prior to installation.*

CUT-OUT SPECIFICATIONS

		A	B	C	D
BUILT-IN GRILLS	Description	Width	Height	Depth	Countertop Overhang Width
NOVO/HONE42	42" NOVO/HONE Grill	40-3/4"	10-1/4"	21-5/8"	42"
NOVO/HONE36	36" NOVO/HONE Grill	34-3/4"	10-1/4"	21-5/8"	36"
NOVO/HONE30	30" NOVO/HONE Grill	28-3/4"	10-1/4"	21-5/8"	30"
ALTA40	40" ALTA Grill	37-3/4"	8-1/2"	20-3/4"	39-5/8"
ALTA32	32" ALTA Grill	30-5/8"	8-1/2"	20-3/4"	32-1/2"

		Width	Height	Depth	Countertop Overhang Width
SIDE BURNERS	Description	Width	Height	Depth	Countertop Overhang Width
NOVOPB	NOVO/HONE Power Burner	21"	10-1/4"	22-3/4"	24"
NOVODBSB	NOVO/HONE Dbl Side Burner	13-1/4"	10-1/4"	23-1/4"	13-7/8"
ALTAPB	ALTA Power Burner	13-3/4"	8"	19"	15-7/8"
ALTADBSB	ALTA Double Side Burner	10-3/4"	8"	20-3/4"	12-5/8"

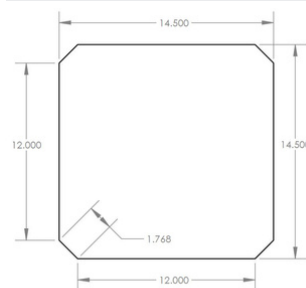
		Width	Height	Depth
WARMING DRAWER	Description	Width	Height	Depth
NOVO36WD	36" Warming Drawer	34-3/8"	10"	21"

		Width	Height	Depth
REFRIGERATION	Description	Width	Height	Depth
NOVO24DLXREF	24" Deluxe Refrigerator	25"	34-1/2"	24"
NOVO242DREF	24" 2-Drawer Refrigerator	25"	34-1/2"	24"
NOVO15GLASSREF	15" Glass Door Refrigerator	16-1/8"	34-3/4"	23-3/4"
NOVO15IM	15" Ice Machine	15"	33-1/2"	24"
NOVODBLKEG	24" Double Tap Kegerator	25"	34-1/2"	24"
NOVOSNGKEG	24" Single Tap Kegerator	25"	34-1/2"	24"
NOVO15WINE1	15" Wine Cooler	16-1/8"	34-3/4"	23-3/4"
NOVO24TRIM	24" Refrigerator Trim	25"	34-1/2"	
NOVO15TRIM	15" Refrigerator Trim	16-1/8"	34-3/4"	
NOVOIMTRIM	15" Ice Machine Trim	16-1/8"	33-3/4"	

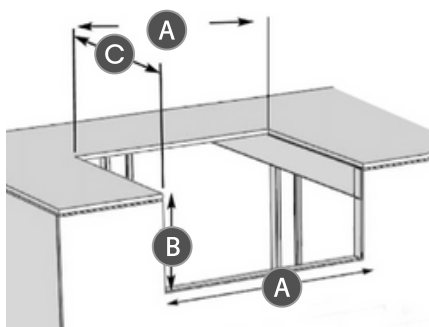
		Width	Height	Depth	Countertop Overhang Width
SINK & BAR	Description	Width	Height	Depth	Countertop Overhang Width
ALTA/NOVO30BEV	30" Beverage Center	28"	10-1/2"	23-1/2"	29-7/8"
NOVO19SINK	19" Undermount Sink	17"	7"	14-3/8"	
NOVO15SINK	15" Drop-In Sink	see insert			
NOVO28COOLER	28" Drop-In Cooler	26"	13"	18-3/4"	
NOVO17COOLER	17" Drop-In Cooler	23-1/4"	13"	17-1/4"	

		Width	Height	Depth
STORAGE	Description	Width	Height	Depth
NOVO17DBLSD	17" Double Drawer	15"	19-3/8"	21"
NOVO17TSD	17" Triple Drawer	15"	27-3/8"	21"
NOVO26UD	26" Utensil Drawer	23-1/4"	3-5/8"	21"
NOVO302DADC	30" 2-Drawer/Door Combo	27-3/8"	19-3/4"	21"
NOVO332DADC	33" 2-Drawer/Door Combo	30-1/8"	19-3/4"	21"
NOVO362DADC	36" 2-Drawer/Door Combo	33-3/8"	19-3/4"	21"
NOVO422DADC	42" 2-Drawer/Door Combo	39-3/8"	19-3/4"	21"
NOVO362DSC	36" Dry Storage Combo	36-1/4"	19-1/4"	21"
NOVO20STD	20" Single Trash Drawer	17-1/2"	24-3/8"	17-1/2"
NOVO20DBLTD	20" Double Trash Drawer	17-1/2"	24-3/8"	27-1/2"
NOVO172DPTH	17" 2-Drawer/Paper Towel Holder	15"	27-3/8"	21"
NOVO18SVAD	18" Single Vertical Access Door	14-1/8"	19-3/4"	
NOVO20SVAD	20" Single Vertical Access Door	17-1/4"	24-3/4"	
NOVO27SHAD	27" Single Horiz. Access Door	24-1/4"	17-3/4"	
NOVO30DBLAD	30" Double Access Doors	27-1/4"	19-3/4"	
NOVO33DBLAD	33" Double Access Doors	30-1/8"	19-3/4"	
NOVO36DBLAD	36" Double Access Doors	33-1/4"	19-3/4"	
NOVO42DBLAD	42" Double Access Doors	39-1/4"	19-3/4"	

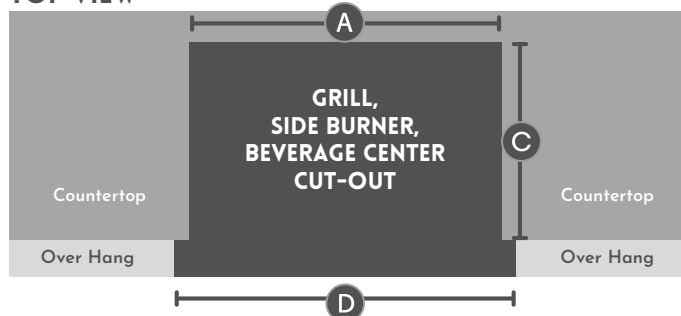
		Width	Height	Depth
INSULATING LINERS	Description	Width	Height	Depth
NOVO42IL	NOVO/HONE 42" Grill Liner	43"	11-1/2"	24-1/2"
NOVO36IL	NOVO/HONE 36" Grill Liner	37"	11-1/2"	24-1/2"
NOVO30IL	NOVO/HONE 30" Grill Liner	31"	11-1/2"	24-1/2"
ALTA40IL	ALTA 40" Grill Liner	40-3/8"	9-3/4"	22"
ALTA32IL	ALTA 32" Grill Liner	33"	9-3/4"	22"
NOVOPBIL	NOVO/HONE Pwr Brnr Liner	24-3/8"	11-3/8"	24-3/8"
NOVODBSBIL	NOVO/HONE Side Burner Liner	15-5/8"	11-1/2"	24-1/4"
ALTAPBIL	ALTA Power Burner Liner	16-1/4"	9-5/8"	20-1/4"
ALTADBSBIL	ALTA Side Burner Liner	13-1/4"	9-5/8"	22"



ISLAND TOP VIEW
NOVO15SINK



TOP VIEW



D = Notch out width of countertop overhang should be cut back to the cabinet base to allow appliance to sit flush with base.

Always refer to product manual for full specifications, installation and operating instructions prior to installation.

NOVO
THE NEW AMERICAN BACKYARD